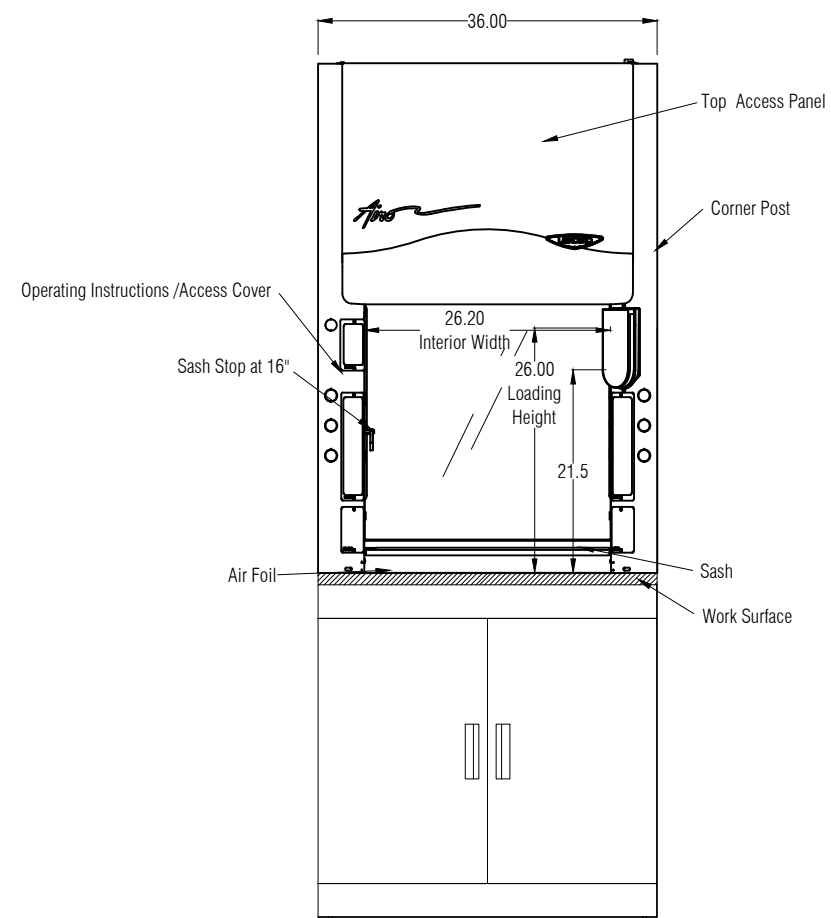
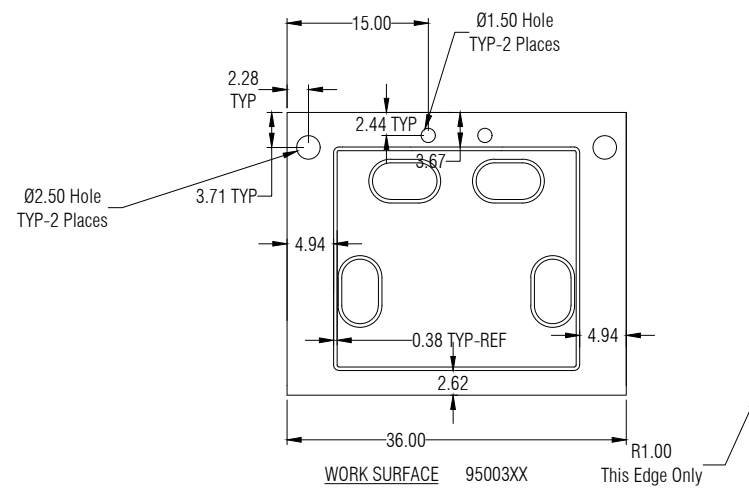
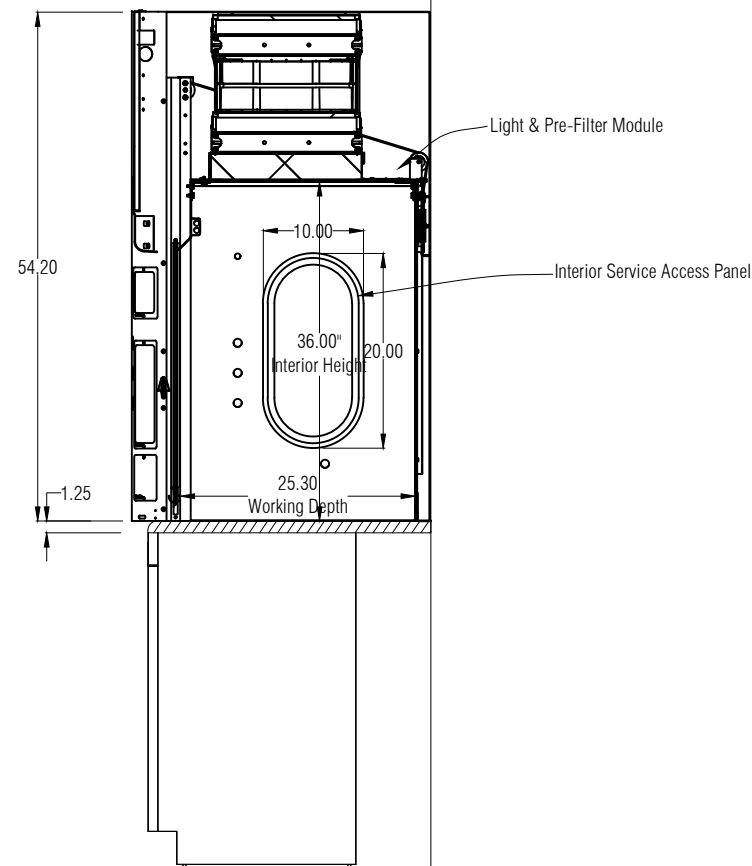


TOP VIEW



FRONT VIEW



SIDE VIEW

**GENERAL DESCRIPTION**

3' Protector Airo Filtered Fume Hood, 31.7" Depth  
Model: 184300200

Exterior Superstructure

\* Double Wall Construction \* 18 Gauge Cold Rolled Steel

Interior Superstructure

\* Galvanized Steel (standard)

Left / Right Facia:

\* Powder Coated Steel \* Color: Glacier White

Liner Material

\* Molded Composite Sheet

Side Panels

\* Both Sides \* Removable \* Color: Glacier White

Interior Access Panels

\* Right and Left Sides

\* Gasket Provided

Corner Post with Access Covers

\* Right and Left Sides

\* 18 Gauge Cold Rolled Steel

Air Foil

\* Cold Rolled Steel \* Powder Coat Finish

Sash

\* Vertical Travel

\* Tempered Safety Glass

\* Counter Weighted and Balanced

\* Pulley System

\* Sash stop @ 13"

Electrical Fixtures

\* Fume hood wired at the factory - Connections made inside a 4x7 Junction Box

\* 100-115V, 50/60 Hz or 208-230V, 50/60 Hz

\* LED Lights - One light bar in each filter column

Service Options

\* Part numbers ending in "0" have no services or duplexes

\* Part numbers ending in "1" have 2 services and no duplexes

\* Part numbers ending in "2" have 2 services and 1 duplex

\* Part numbers ending in "3" have no services and 1 duplex

\* Models with 2 services will have one on each corner post with a Cold Water valve on the left and a Gas valve on the right\*

\* Additional service fixture kits available upon request

GFH Filtration Technology

\* Neutrodine Unisorb Filters (9577420 - Sold Separately)

\* Compatible with over 700 chemicals

\* HEPA filters available (9577421) Add 4" to overall height

\* eGuard remote monitoring software

\* Wifi, Bluetooth, and Ethernet connectivity

\* Filters are approved for specific applications

\* Contact Labconco to request a chemical assessment prior to purchase

\* Part number may change based on results of chem assessment

Work Surface

\* Black Epoxy Work Surface # 95003XX (See cupsink for "XX")

Cupsink Location Options (P/N 4005200)

\* Right Side "02"

\* Right Rear "01"

\* Left Rear "10"

\* Left Rear "20"

Cabinets/Stands

\* Required

Assembly and Crating

\* Pre-Assembled

\* Palletized

SCALE: Scaled to fit

FUME HOODS for:

LABCONCO  
3', 31.7" DEEP  
AIRO FUME HOOD



LABCONCO CORPORATION • KANSAS CITY MO USA 64132  
800-821-5525 / 816-333-8811 • labconco.com

Rev	Date
Date: 7/27/2020	
Drawing #: 184300200	
Drawn By: K. Fulmer	
Checked By:	
Approved By:	
Sheet No.	

LCC Order Number: XXXXXX

Log Number: XXX-XX