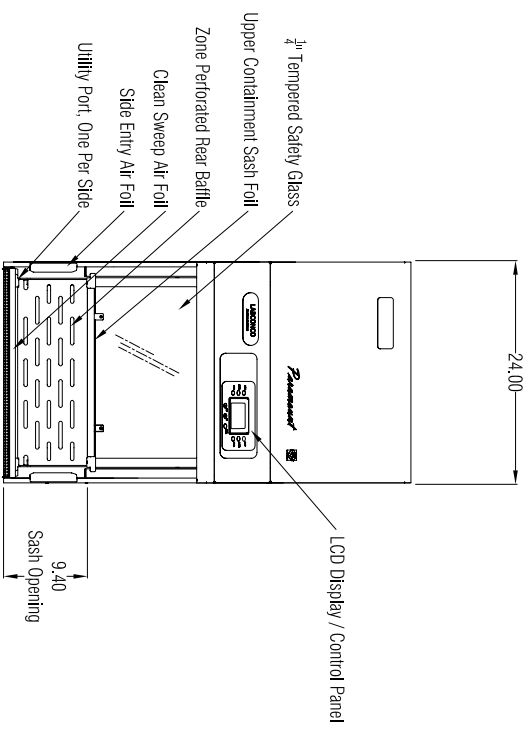
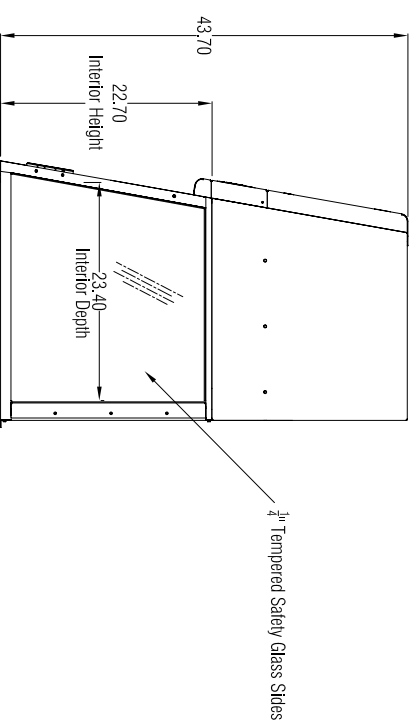


TOP VIEW



FRONT VIEW



SIDE VIEW

GENERAL DESCRIPTION

2' Paramount Ductless Enclosure, Standard
Model: 6963200

- Exterior Superstructure
- Tempered glass
- Dry powder epoxy-coated aluminum
- Interior Superstructure
- Dry powder epoxy-coated Aluminum and Steel Sides
- 1/4" Thick Tempered Safety Glass
- Filters
- Accommodates 2 Filters
- Gas-assisted filter clamping mechanism

Electrical Fixtures

- Pre-wired Fluorescent Light with Timers

Control Panel / LCD Display

- Face Velocity
- Filter Status and Types
- Touchpad Control of Enclosure Operation
- Set Filter Life and Check Timers
- Programmable Alarm Set Points
- Event timer

Wiring

- Wired at Factory
- 8.2' Power Cord with Plug

SASH

- Pivots to full open for cleaning and material transfer
- 1/4" Tempered Safety Glass
- 9.4" Operating Height
- Epoxy Coated Aluminum Frame

Baffles

- Perforated, Epoxy Coated, Pivots Downward for Cleaning
- Air Foil
- Extruded aluminum, Clean Sweep Airfoil

Motor

- ECM Impeller, Smart-Flow System to Adjust Motor Speed

Sensor

- Safety First Vapor Sensor
- Primary and Secondary Back-Up Sensors

Utility Port

- (2) 1.5" diameter utility ports with plugs
- Pre-Assembled
- Politeized

Exhaust

- Exhaust Shroud, recirculates filtered air back into room

FUME HOODS for:



Labconco Corporation
8811 Prospect Avenue
Kansas City, Mo 64132-2696
(800) 821-5525
www.labconco.com

No. _____ Date _____

Date: 4-7-2009

Drawing # 6963200

Drawn By: Luke Savage

Checked By:

Approved By:

Sheet No.