



We put space to work.

# TableWorx™ Performance Worktables

- Innumerable options and a truly modular platform allow you to customize a perfect solution
- Overhead riser solution can be added at anytime during the life of the worktable converting it into a productivity workcenter
- Height adjustability built into every table

**Adaptive worktables that maximize efficiency above & below the surface.**



**TableWorx All-Stainless Worktable**  
Shown with solid stainless bottom shelf

**TableWorx All-Stainless Worktable**  
Shown with riser system, Solid stainless upper shelf and solid bottom shelf

Three levels of materials to match performance with process requirements

<p><b>Standard</b></p> <p>Perfect for foodservice, academic, and general use purposes</p>	<p>TYPE 304 STAINLESS STEEL</p>	<p><b>All Stainless</b></p> <p>Perfect for lab, electronics, pharmaceutical, and general life science applications</p>	<p>TYPE 304 STAINLESS STEEL</p>	<p><b>316 Stainless</b></p> <p>Perfect for cleanroom, biopharma, and other applications with demanding cleaning protocols</p>	<p>TYPE 316 STAINLESS STEEL</p>
---	-------------------------------------	--	-------------------------------------	---	-------------------------------------

Component	Standard	All Stainless	316 All Stainless
Work Surface Material	Type 304 Stainless	Type 304 Stainless	Type 316 Stainless
Leg Material	Metroseal Gray Epoxy Coated Steel	Type 304 Stainless	Type 304 Stainless
Leg Mount Material	Nylon	Type 304 Stainless	Type 304 Stainless



All tables available in stationary or mobile-ready options.



**Warranty:** 1-year parts & labor warranty



L02-260  
Printed in U.S.A. 2/24

Information and specifications are subject to change without notice. Please confirm at time of order.

Copyright © 2024 InterMetro Industries Corp.



**TableWorx™** Performance Worktables

**58.40**



# TableWorx™ Performance Worktables

## Specifications

### Worksurface

- Surface consists of 16-gauge stainless steel with a #4 finish
- Reinforced with 16-gauge hat channels
- Work surface alloy: type 304 or 316 stainless
- Surface load rating is 650 lbs. (295 kg) evenly distributed
- Work surface features 90-degree turned down edges with radii on all four sides
- All sizes available with an optional 2" (51 mm) backsplash formed into the stainless work surface

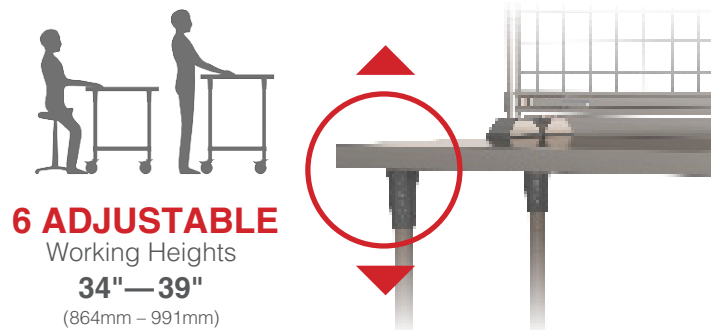


### Available Sizes

Widths	Lengths						
	24" (610 mm)	30" (762 mm)	36" (914 mm)	48" (1219 mm)	60" (1524 mm)	72" (1829 mm)	96" (2438 mm)
<b>24" (610 mm)</b>	X	X	X	X	X	X	X
<b>30" (762 mm)</b>	-	X	X	X	X	X	X
<b>36" (914 mm)</b>	-	-	X	X	X		

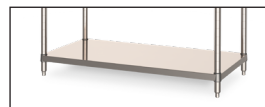
### Work Surface Height Adjustability

- Ergonomics: Perfect seated height or standing height in EVERY TableWorx solution
- Out of the box TableWorx can be assembled to any one of six working surface heights: 34" (864 mm), 35" (889 mm), 36" (914 mm), 37" (940 mm), 38" (965 mm), and 39" (991 mm)
- Work surface heights are the same across both stationary and mobile solutions (assuming use of 5" stems casters)



### Under Structure

- Available solutions:
  - > Solid stainless under shelf
  - > Three-sided frame
  - > I-frame (H-frame)
- All-welded, all-stainless steel construction
- Under frame material: Type 304 stainless steel
- Under structures can be assembled to varying heights to table legs in 2" (51 mm) increments
- Multiple solid stainless under shelves can be installed to increase available storage underneath



**Solid Stainless Bottom Shelf**  
Base accommodates multiple shelves



**3-Sided Frame**  
To nest equipment or when seated



**"I" Frame**  
Perfect for foot rest or 2-sided access



# TableWorx™ Performance Worktables

## Worktable Legs

- Leg Material: 16-gauge type 304 stainless steel or Metroseal Gray epoxy coated 16-gauge cold rolled steel
- Metroseal Gray epoxy finish has built-in Microban® antimicrobial protection. 12-Year corrosion warranty
- Leg Mount Material: Type 304 stainless steel or reinforced nylon polymer
- Legs: Outer Diameter: 1-5/8" (41 mm) Lengths: 32" (813 mm) stationary and 27" (686 mm) for mobile
- Mobile legs can accept any Metro 1" (25 mm) stem caster
- Mobile legs include caster stem locking feature to utilize total-lock casters
- Stationary legs include stainless leveling bullet feet with 1-1/8" (29 mm) range of adjustability



**304 Stainless Steel Post**  
Shown in stationary with Stainless steel leg mount

**Metroseal Epoxy Coated Post**  
Shown in mobile with polymer leg mount



## Caster Options

GOOD		BETTER		BEST	
<b>5MDBA-NB</b> <b>Plated Caster with High Modulus Tread</b> For dry environments and for medium duty applications. Non-marking high modulus donut tread and polyolefin hub. Plated horns, stems, axles, and brakes. Ball bearing swivel and axle.	<b>5MPB-NB</b> <b>Plated Caster with Polyurethane Tread</b> For dry environments and for medium duty applications. Non-marking polyurethane flat tread & polyethylene hub. Chrome plated horns, stems, axles, and brakes (optional). Ball bearing swivel and axle.	<b>5PCB-NB</b> <b>Standard Polymer Caster</b> Basic corrosion protection for wet environments. Reinforced nylon rig with chromate plated stem and swivel raceway. <b>Maintenance Free:</b> Sealed swivel ball bearings and Delrin axle bearings. <b>BASIC CORROSION RESISTANCE</b> <b>NOT SUITED FOR SPRAY SERIALIZATION, HIGH HUMIDITY, HI-TEMP CART WASH.</b>	<b>BEST ALL AROUND</b> <b>5PSTEB-NB</b> <b>Polymer/Stainless Total-Guard Caster</b> High-rust protection with reinforced nylon rig, stainless steel stem and hardware. Non-marking polyurethane flat tread & polyethylene hub. <b>EXCELLENT CHEMICAL &amp; CORROSION RESISTANCE. BEST FOR: HIGH-HUMIDITY, HIGH SALT EXPOSURE, MRI, RFID, CART WASH</b> <b>NOT SUITED FOR ACID EXPOSURE</b>	<b>5MPBGSA</b> <b>Premium Type 304 Stainless Steel Caster</b> Type 304 Stainless Steel Rig, Hardware and sealed SS bearings. <b>EXCELLENT &amp; CHEMICAL CORROSION RESISTANCE. BEST FOR: HI-TEMP CART WASH UP TO 180F</b>	

Wheel Diameter (in.) (mm)	Face (in.) (mm)		Load Rating (lbs.) (kg)		Type	Wheel Tread	Temperature range (continuous) (Fahrenheit) (Celsius)		Cat. No. Model No.
5	127	1.25 32	300 135	300 135	Stem/Brake	High Modulus Donut	-20° - 180°	-29° - 82°	<b>5MDBA-NB</b>
5	127	1.25 32	300 135	300 135	Stem/Brake	Polyurethane, Flat	-20° - 180°	-29° - 82°	<b>5MPB-NB</b>
5	127	1.25 32	300 135	300 135	Stem/Brake	Polyurethane, Flat	-20° - 120°	-29° - 49°	<b>5PCB-NB</b>
5	127	1.25 32	250 113	250 113	Stem/Brake	TPE, Flat	-20° - 120°	-29° - 49°	<b>5PSTEB-NB</b>
5	127	1.25 32	250 113	250 113	Stem/Brake	High Modulus Donut	-20° - 120°	-29° - 49°	<b>5MDBGSA</b>
5	127	1.25 32	250 113	250 113	Stem/Brake	Polyurethane, Flat	-20° - 120°	-29° - 49°	<b>5MPBGSA</b>

**MOBILE READY WORKTABLES DO NOT COME WITH CASTERS. CASTERS MUST BE ORDERED SEPARATELY.**

TableWorx accepts any Metro 1" stem caster available. Selected caster solution comes with four brake casters



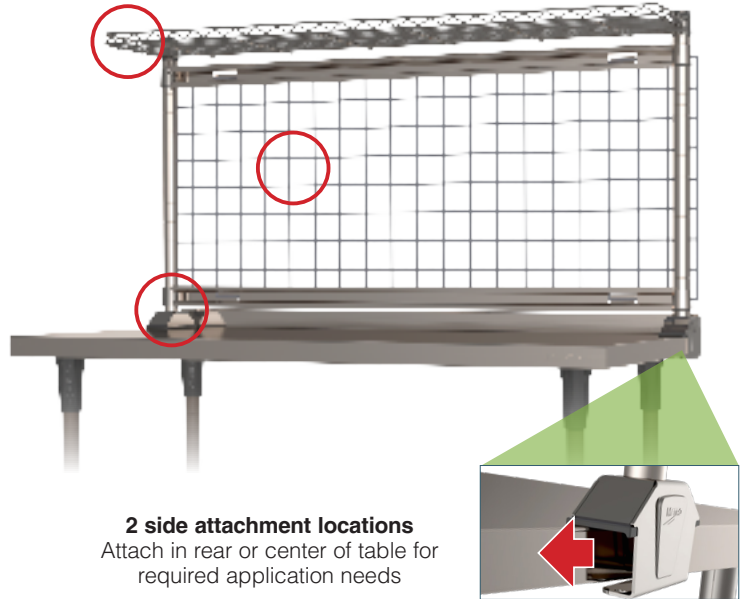
# TableWorx™ Performance Worktables

## Overhead Riser System

- Installed or removed at anytime during life of worktable
- Remains within worktable footprint
- Cantilevered with only two rear mounting posts
- Can mount at rear of or in the center of worktable
- Solution can be shelving, SmartWall grid, or combination of Shelf and SmartWall grid
- Grid hanging rail doubles as a bin holder for the entire length of table

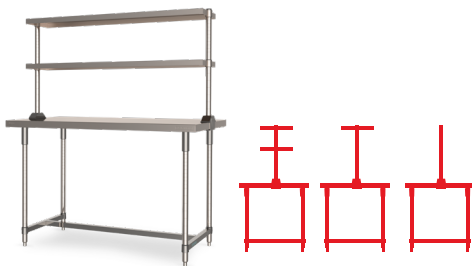
## Shelf and Grid Options

- **Solid stainless shelves:** 12" deep rear or center cantilevered, Type 304 or 316 stainless
- **Wire DropMat shelving** 12" deep type 304 stainless wire
- **SmartWall Grid:** 24" high Metroseal Gray Epoxy Coated or type 304 stainless steel
- Mounting post are type 304 stainless steel with type 316 stainless base



**2 side attachment locations**  
Attach in rear or center of table for required application needs

## Riser Mounting Options



### Center Mount

Choose accessory grid only, center-mount solid stainless over-shelves, or a combination of both.



### Rear Mount

Choose accessory grid only, stainless solid or wire over-shelves, or a combination of both.

## Dimensional Specifications

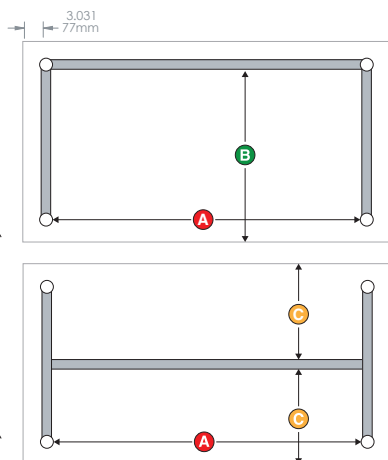
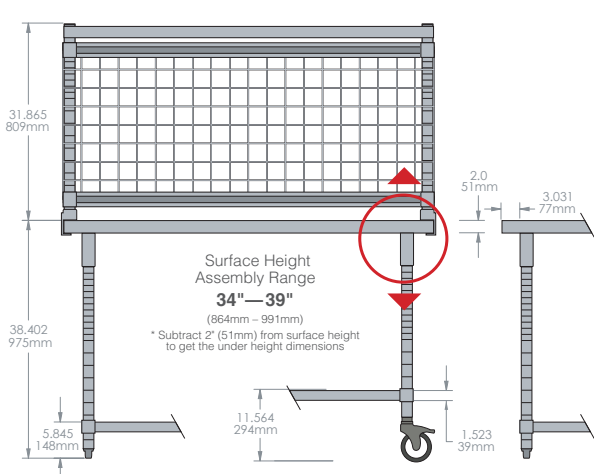


Table Top Size in (mm)	A	B	C
24 (610) x 24 (610)	13.7 (348)	20.2 (513)	11.3 (287)
24 (610) x 30 (762)	19.7 (500)	20.2 (513)	11.3 (287)
24 (610) x 36 (914)	25.7 (653)	20.2 (513)	11.3 (287)
24 (610) x 48 (1219)	37.7 (958)	20.2 (513)	11.3 (287)
24 (610) x 60 (1524)	49.7 (1262)	20.2 (513)	11.3 (287)
24 (610) x 72 (829)	61.7 (1567)	20.2 (513)	11.3 (287)
24 (610) x 96 (2438)	85.7 (2177)	20.2 (513)	11.3 (287)
30 (762) x 30 (762)	19.7 (500)	24.2 (615)	14.3 (363)
30 (762) x 36 (914)	25.7 (653)	24.2 (615)	14.3 (363)
30 (762) x 48 (1219)	37.7 (958)	24.2 (615)	14.3 (363)
30 (762) x 60 (1524)	49.7 (1262)	24.2 (615)	14.3 (363)
30 (762) x 72 (829)	61.7 (1567)	24.2 (615)	14.3 (363)
30 (762) x 96 (2438)	85.7 (2177)	24.2 (615)	14.3 (363)
36 (914) x 36 (914)	25.7 (653)	30.2 (767)	17.25 (438)
36 (914) x 48 (1219)	37.7 (958)	30.2 (767)	17.25 (438)
36 (914) x 60 (1524)	49.7 (1262)	30.2 (767)	17.25 (438)



# TableWorx™ Performance Worktables

## How to configure a TableWorx perfect for you.



TWS3060SU-304-K



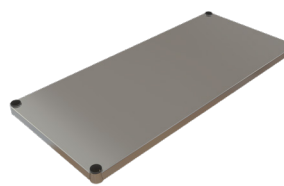
TWR60-2CRS304



TWM3060FS-304-K



(4) 5PSTEB



(1) TW2454FS



**Table Width**  
24"  
30"  
36"

**Under Structure**  
FS = Solid Stainless Shelf  
SU = Stainless 3-Sided Frame  
SI = Stainless I-Frame (H-Frame)

**Post & Collar Finish**  
S = All-Stainless Posts & Collars  
K = Metroseal Gray Epoxy Coated Posts & Polymer Collars

**TWM3060FS-304B-S**

**Table Length**  
24" 60"  
30" 72"  
36" 96"  
48"

**Surface Material**  
304 = Type 304 Alloy Polished  
316 = Type 316 Alloy Polished  
304B = Type 304 w/ 2" Backsplash  
316B = Type 316 w/ 2" Backsplash

S = Stationary  
M = Mobile

## STANDARD WORKTABLES

Type 304 Stainless Work Surface / Metroseal Epoxy Coated Posts and Polymer Post Mounts



Worktable Width	Worktable Length in (mm)	Stationary			Mobile Ready (Casters Must Be Ordered Separately)		
		Solid Stainless Shelf	Stainless 3-Sided Frame	Stainless I-Frame	Solid Stainless Shelf	3-Sided Frame	I-Frame
24" (610 mm)	24 (610)	TWS2424FS-304-K	TWS2424SU-304-K	TWS2424SI-304-K	TWM2424FS-304-K	TWM2424SU-304-K	TWM2424SI-304-K
	30 (762)	TWS2430FS-304-K	TWS2430SU-304-K	TWS2430SI-304-K	TWM2430FS-304-K	TWM2430SU-304-K	TWM2430SI-304-K
	36 (914)	TWS2436FS-304-K	TWS2436SU-304-K	TWS2436SI-304-K	TWM2436FS-304-K	TWM2436SU-304-K	TWM2436SI-304-K
	48 (1219)	TWS2448FS-304-K	TWS2448SU-304-K	TWS2448SI-304-K	TWM2448FS-304-K	TWM2448SU-304-K	TWM2448SI-304-K
	60 (1524)	TWS2460FS-304-K	TWS2460SU-304-K	TWS2460SI-304-K	TWM2460FS-304-K	TWM2460SU-304-K	TWM2460SI-304-K
	72 (1829)	TWS2472FS-304-K	TWS2472SU-304-K	TWS2472SI-304-K	TWM2472FS-304-K	TWM2472SU-304-K	TWM2472SI-304-K
30" (762 mm)	96 (2438)	TWS2496FS-304-K	TWS2496SU-304-K	TWS2496SI-304-K	TWM2496FS-304-K	TWM2496SU-304-K	TWM2496SI-304-K
	30 (762)	TWS3030FS-304-K	TWS3030SU-304-K	TWS3030SI-304-K	TWM3030FS-304-K	TWM3030SU-304-K	TWM3030SI-304-K
	36 (914)	TWS3036FS-304-K	TWS3036SU-304-K	TWS3036SI-304-K	TWM3036FS-304-K	TWM3036SU-304-K	TWM3036SI-304-K
	48 (1219)	TWS3048FS-304-K	TWS3048SU-304-K	TWS3048SI-304-K	TWM3048FS-304-K	TWM3048SU-304-K	TWM3048SI-304-K
	60 (1524)	TWS3060FS-304-K	TWS3060SU-304-K	TWS3060SI-304-K	TWM3060FS-304-K	TWM3060SU-304-K	TWM3060SI-304-K
	72 (1829)	TWS3072FS-304-K	TWS3072SU-304-K	TWS3072SI-304-K	TWM3072FS-304-K	TWM3072SU-304-K	TWM3072SI-304-K
36" (914 mm)	96 (2438)	TWS3096FS-304-K	TWS3096SU-304-K	TWS3096SI-304-K	TWM3096FS-304-K	TWM3096SU-304-K	TWM3096SI-304-K
	36 (914)	TWS3636FS-304-K	TWS3636SU-304-K	TWS3636SI-304-K	TWM3636FS-304-K	TWM3636SU-304-K	TWM3636SI-304-K
	48 (1219)	TWS3648FS-304-K	TWS3648SU-304-K	TWS3648SI-304-K	TWM3648FS-304-K	TWM3648SU-304-K	TWM3648SI-304-K
	60 (1524)	TWS3660FS-304-K	TWS3660SU-304-K	TWS3660SI-304-K	TWM3660FS-304-K	TWM3660SU-304-K	TWM3660SI-304-K

NOTE: For optional 2" backsplash add 'B' suffix to surface material designation. Ex. TWS3648FS-304B-K



# TableWorx™ Performance Worktables



## ALL-STAINLESS WORKTABLES

Type 304 Stainless Work Surface / Type 304 Stainless Components

Worktable Width	Worktable Length in (mm)	ALL-STAINLESS WORKTABLES Type 304 Stainless Work Surface / Type 304 Stainless Components					
		Stationary			Mobile Ready (Casters Must Be Ordered Separately)		
		Solid Stainless Shelf	3-Sided Frame	Stainless I-Frame	Solid Stainless Shelf	3-Sided Frame	I-Frame
24" (610 mm)	24 (610)	TWS2424FS-304-S	TWS2424SU-304-S	TWS2424SI-304-S	TWM2424FS-304-S	TWM2424SU-304-S	TWM2424SI-304-S
	30 (762)	TWS2430FS-304-S	TWS2430SU-304-S	TWS2430SI-304-S	TWM2430FS-304-S	TWM2430SU-304-S	TWM2430SI-304-S
	36 (914)	TWS2436FS-304-S	TWS2436SU-304-S	TWS2436SI-304-S	TWM2436FS-304-S	TWM2436SU-304-S	TWM2436SI-304-S
	48 (1219)	TWS2448FS-304-S	TWS2448SU-304-S	TWS2448SI-304-S	TWM2448FS-304-S	TWM2448SU-304-S	TWM2448SI-304-S
	60 (1524)	TWS2460FS-304-S	TWS2460SU-304-S	TWS2460SI-304-S	TWM2460FS-304-S	TWM2460SU-304-S	TWM2460SI-304-S
	72 (1829)	TWS2472FS-304-S	TWS2472SU-304-S	TWS2472SI-304-S	TWM2472FS-304-S	TWM2472SU-304-S	TWM2472SI-304-S
	96 (2438)	TWS2496FS-304-S	TWS2496SU-304-S	TWS2496SI-304-S	TWM2496FS-304-S	TWM2496SU-304-S	TWM2496SI-304-S
30" (762 mm)	30 (762)	TWS3030FS-304-S	TWS3030SU-304-S	TWS3030SI-304-S	TWM3030FS-304-S	TWM3030SU-304-S	TWM3030SI-304-S
	36 (914)	TWS3036FS-304-S	TWS3036SU-304-S	TWS3036SI-304-S	TWM3036FS-304-S	TWM3036SU-304-S	TWM3036SI-304-S
	48 (1219)	TWS3048FS-304-S	TWS3048SU-304-S	TWS3048SI-304-S	TWM3048FS-304-S	TWM3048SU-304-S	TWM3048SI-304-S
	60 (1524)	TWS3060FS-304-S	TWS3060SU-304-S	TWS3060SI-304-S	TWM3060FS-304-S	TWM3060SU-304-S	TWM3060SI-304-S
	72 (1829)	TWS3072FS-304-S	TWS3072SU-304-S	TWS3072SI-304-S	TWM3072FS-304-S	TWM3072SU-304-S	TWM3072SI-304-S
	96 (2438)	TWS3096FS-304-S	TWS3096SU-304-S	TWS3096SI-304-S	TWM3096FS-304-S	TWM3096SU-304-S	TWM3096SI-304-S
36" (914 mm)	36 (914)	TWS3636FS-304-S	TWS3636SU-304-S	TWS3636SI-304-S	TWM3636FS-304-S	TWM3636SU-304-S	TWM3636SI-304-S
	48 (1219)	TWS3648FS-304-S	TWS3648SU-304-S	TWS3648SI-304-S	TWM3648FS-304-S	TWM3648SU-304-S	TWM3648SI-304-S
	60 (1524)	TWS3660FS-304-S	TWS3660SU-304-S	TWS3660SI-304-S	TWM3660FS-304-S	TWM3660SU-304-S	TWM3660SI-304-S

NOTE: For optional 2" backsplash add 'B' suffix to surface material designation. Ex. TWS3648FS-304B-K



## 316 ALL-STAINLESS WORKTABLES

Type 316 Stainless Work Surface / Type 304 Stainless Components

Worktable Width	Worktable Length in (mm)	316 ALL-STAINLESS WORKTABLES Type 316 Stainless Work Surface / Type 304 Stainless Components					
		Stationary			Mobile Ready (Casters Must Be Ordered Separately)		
		Solid Stainless Shelf	3-Sided Frame	Stainless I-Frame	Solid Stainless Shelf	3-Sided Frame	I-Frame
24" (610 mm)	24 (610)	TWS2424FS-316-S	TWS2424SU-316-S	TWS2424SI-316-S	TWM2424FS-316-S	TWM2424SU-316-S	TWM2424SI-316-S
	30 (762)	TWS2430FS-316-S	TWS2430SU-316-S	TWS2430SI-316-S	TWM2430FS-316-S	TWM2430SU-316-S	TWM2430SI-316-S
	36 (914)	TWS2436FS-316-S	TWS2436SU-316-S	TWS2436SI-316-S	TWM2436FS-316-S	TWM2436SU-316-S	TWM2436SI-316-S
	48 (1219)	TWS2448FS-316-S	TWS2448SU-316-S	TWS2448SI-316-S	TWM2448FS-316-S	TWM2448SU-316-S	TWM2448SI-316-S
	60 (1524)	TWS2460FS-316-S	TWS2460SU-316-S	TWS2460SI-316-S	TWM2460FS-316-S	TWM2460SU-316-S	TWM2460SI-316-S
	72 (1829)	TWS2472FS-316-S	TWS2472SU-316-S	TWS2472SI-316-S	TWM2472FS-316-S	TWM2472SU-316-S	TWM2472SI-316-S
	96 (2438)	TWS2496FS-316-S	TWS2496SU-316-S	TWS2496SI-316-S	TWM2496FS-316-S	TWM2496SU-316-S	TWM2496SI-316-S
30" (762 mm)	30 (762)	TWS3030FS-316-S	TWS3030SU-316-S	TWS3030SI-316-S	TWM3030FS-316-S	TWM3030SU-316-S	TWM3030SI-316-S
	36 (914)	TWS3036FS-316-S	TWS3036SU-316-S	TWS3036SI-316-S	TWM3036FS-316-S	TWM3036SU-316-S	TWM3036SI-316-S
	48 (1219)	TWS3048FS-316-S	TWS3048SU-316-S	TWS3048SI-316-S	TWM3048FS-316-S	TWM3048SU-316-S	TWM3048SI-316-S
	60 (1524)	TWS3060FS-316-S	TWS3060SU-316-S	TWS3060SI-316-S	TWM3060FS-316-S	TWM3060SU-316-S	TWM3060SI-316-S
	72 (1829)	TWS3072FS-316-S	TWS3072SU-316-S	TWS3072SI-316-S	TWM3072FS-316-S	TWM3072SU-316-S	TWM3072SI-316-S
	96 (2438)	TWS3096FS-316-S	TWS3096SU-316-S	TWS3096SI-316-S	TWM3096FS-316-S	TWM3096SU-316-S	TWM3096SI-316-S
36" (914 mm)	36 (914)	TWS3636FS-316-S	TWS3636SU-316-S	TWS3636SI-316-S	TWM3636FS-316-S	TWM3636SU-316-S	TWM3636SI-316-S
	48 (1219)	TWS3648FS-316-S	TWS3648SU-316-S	TWS3648SI-316-S	TWM3648FS-316-S	TWM3648SU-316-S	TWM3648SI-316-S
	60 (1524)	TWS3660FS-316-S	TWS3660SU-316-S	TWS3660SI-316-S	TWM3660FS-316-S	TWM3660SU-316-S	TWM3660SI-316-S

NOTE: For optional 2" backsplash add 'B' suffix to surface material designation. Ex. TWS3648FS-304B-K



# TableWorx™ Performance Worktables

## Pre-Configured Riser Options



2 Rear Cantilevered Solid Stainless Shelves



2 Center Cantilevered Solid Stainless Shelves



2 Rear Cantilevered Wire Stainless Shelves

Table Length	2 Rear Cantilevered Solid Stainless Shelves		2 Center Cantilevered Solid Stainless Shelves		2 Rear Cantilevered Wire Stainless Shelves	
	Part #	Material	Part #	Material	Part #	Material
36" (914)	TWR36-2CRS304	304 Stainless	TWR36-2CCS304	304 Stainless	TWR36-2DMS	304 Stainless
	TWR36-2CRS316	316 Stainless	TWR36-2CCS316	316 Stainless	-	-
48" (1219)	TWR48-2CRS304	304 Stainless	TWR48-2CCS304	304 Stainless	TWR48-2DMS	304 Stainless
	TWR48-2CRS316	316 Stainless	TWR48-2CCS316	316 Stainless	-	-
60" (1524)	TWR60-2CRS304	304 Stainless	TWR60-2CCS304	304 Stainless	TWR60-2DMS	304 Stainless
	TWR60-2CRS316	316 Stainless	TWR60-2CCS316	316 Stainless	-	-



SmartWall Grid Only



SmartWall Grid with Solid Stainless Cantilevered Shelf



SmartWall Grid with Wire Stainless Cantilevered Shelf

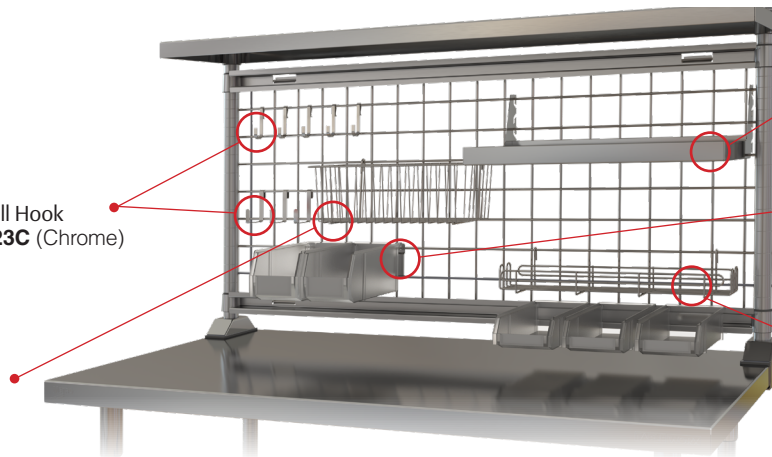
Table Length	SmartWall Grid Only		SmartWall Grid with Solid Stainless Cantilevered Shelf		SmartWall Grid with Wire Stainless Cantilevered Shelf	
	Part #	Material	Part #	Material	Part #	Material
36" (914)	TWR36-2436GRK4	Metroseal Gray	TWR36-GRK4-CRS304	Metroseal Gray	TWR36-GRK4-DMS304	Metroseal Gray
	TWR36-2436GRS	304 Stainless	TWR36-GRS-CRS304	304 Stainless	-	-
48" (1219)	TWR48-2448GRK4	Metroseal Gray	TWR48-GRK4-CRS304	Metroseal Gray	TWR48-GRK4-DMS304	Metroseal Gray
	TWR48-2448GRS	304 Stainless	TWR48-GRS-CRS304	304 Stainless	-	-
60" (1524)	TWR60-2460GRK4	Metroseal Gray	TWR60-GRK4-CRS304	Metroseal Gray	TWR60-GRK4-DMS304	Metroseal Gray
	TWR60-2460GRS	304 Stainless	TWR60-GRS-CRS304	304 Stainless	-	-

## Common Grid Accessories

Large Hook  
HK25C (Chrome)

Small Hook  
HK23C (Chrome)

Large 5" Deep Basket  
H210K4 (Gray)  
H210S (Stainless)



Reversible Solid Shelf  
GSSR1224 (Stainless)

Bin Holder (Stainless)  
TBA-SBHS Single 3" (76 mm)  
PBA-1BHS Small 11" (280 mm)

Utility Shelf  
SR24K4 (Gray)  
SR24S (Stainless)

Visit [metro.com](http://metro.com) for full line of grid accessories.



## Accessories

### Stainless Steel Drawers

- Fully fabricated 304 stainless steel *no-flex* construction (*No pan drop-in required*)
- **Dimensions:** Exterior 19.5"D (495mm) x 20.5"W (521mm) x 7"H (178mm); Interior 18"D (457mm) x 18.75"W (476mm) x 5.5"H (140mm)
- Fully removable drawer with 35 lbs. load capacity per drawer
- Stackable up to 3 high
- NSF listed heavy-duty ball bearing slides
- Drawer face remains flush with worksurface edge regardless of the table depth.
- Multiple mounting locations: Right, Center, Left (*Depending on table length*); **Drawers can be both front facing and rear facing** if mounted on the same table\*

\*Note: Cannot be mounted back to back

### Drawer Stack



- Primary Drawer
- Add-a-Drawer
- Add-a-Drawer



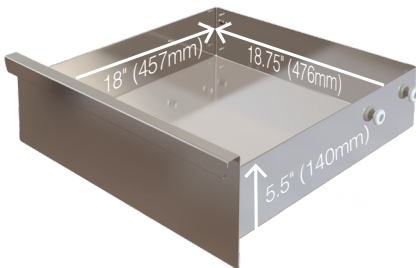
### Primary Drawer

Fits Table Depth in (mm)	Drawer Cat. No.
24 (610)	TWDR6-24
30 (762)	TWDR6-30
36 (914)	TWDR6-36

### Add-a-Drawer

Table Length in (mm)	Solid Stainless Shelf Cat. No.
ALL	TWDR6-ADD

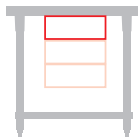
### Drawer Locations



Shown on a 30" x 60" Table with (2) Drawer locations.

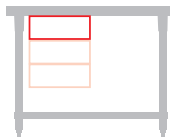
### 36"

Allows 1 drawer stack in one location only.



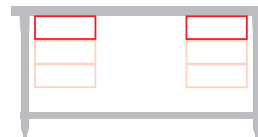
### 48"

Allows 1 drawer stack in right, center or left.



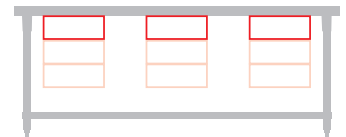
### 60" / 72"

Allows 2 drawer stacks right and Left or one drawer stack in center.



### 96"

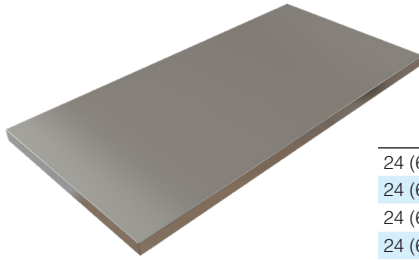
Allows 3 drawer stacks right, left and center.







# TableWorx™ Performance Worktables



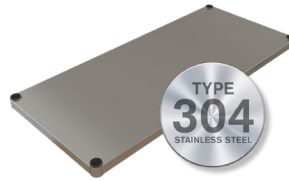
## Table Tops

16 gauge type 304 or 316 stainless steel with #4 finish. Available with optional 2" (51mm) backsplash formed in.

Table Top Size in (mm)	TYPE 304 STAINLESS STEEL 304 Alloy Table Top	TYPE 304 STAINLESS STEEL 304 Alloy Table Top with Back Splash	TYPE 316 STAINLESS STEEL 316 Alloy Table Top	TYPE 316 STAINLESS STEEL 316 Alloy Table Top with Back Splash
24 (610) x 24 (610)	TW2424-304	TW2424-304B	TW2424-316	TW2424-316B
24 (610) x 30 (762)	TW2430-304	TW2430-304B	TW2430-316	TW2430-316B
24 (610) x 36 (914)	TW2436-304	TW2436-304B	TW2436-316	TW2436-316B
24 (610) x 48 (1219)	TW2448-304	TW2448-304B	TW2448-316	TW2448-316B
24 (610) x 60 (1524)	TW2460-304	TW2460-304B	TW2460-316	TW2460-316B
24 (610) x 72 (829)	TW2472-304	TW2472-304B	TW2472-316	TW2472-316B
24 (610) x 96 (2438)	TW2496-304	TW2496-304B	TW2496-316	TW2496-316B
30 (762) x 30 (762)	TW3030-304	TW3030-304B	TW3030-316	TW3030-316B
30 (762) x 36 (914)	TW3036-304	TW3036-304B	TW3036-316	TW3036-316B
30 (762) x 48 (1219)	TW3048-304	TW3048-304B	TW3048-316	TW3048-316B
30 (762) x 60 (1524)	TW3060-304	TW3060-304B	TW3060-316	TW3060-316B
30 (762) x 72 (829)	TW3072-304	TW3072-304B	TW3072-316	TW3072-316B
30 (762) x 96 (2438)	TW3096-304	TW3096-304B	TW3096-316	TW3096-316B
36 (914) x 36 (914)	TW3636-304	TW3636-304B	TW3636-316	TW3636-316B
36 (914) x 48 (1219)	TW3648-304	TW3648-304B	TW3648-316	TW3648-316B
36 (914) x 60 (1524)	TW3660-304	TW3660-304B	TW3660-316	TW3660-316B

## Lower Shelves

All-welded type 304 stainless construction with a 300 lbs. load capacity evenly distributed.



Fits Worktable Size in (mm)	Solid Stainless Shelf Cat. No.
24 (610) x 24 (610)	TW2018FS
24 (610) x 30 (762)	TW2024FS
24 (610) x 36 (914)	TW2030FS
24 (610) x 48 (1219)	TW2042FS
24 (610) x 60 (1524)	TW2054FS
24 (610) x 72 (829)	TW2066FS
24 (610) x 96 (2438)	TW2090FS

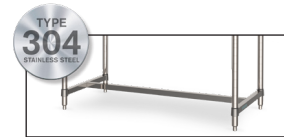
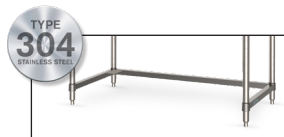
Worktable Size in (mm)	Solid Stainless Shelf Cat. No.
30 (762) x 30 (762)	TW2424FS
30 (762) x 36 (914)	TW2430FS
30 (762) x 48 (1219)	TW2442FS
30 (762) x 60 (1524)	TW2454FS
30 (762) x 72 (829)	TW2466FS
30 (762) x 96 (2438)	TW2490FS

Worktable Size in (mm)	Solid Stainless Shelf Cat. No.
36 (914) x 36 (914)	TW3030FS
36 (914) x 48 (1219)	TW3042FS
36 (914) x 60 (1524)	TW3054FS



## Under Structures

All-welded, 16-gauge type 304 electro-polished stainless steel frames.



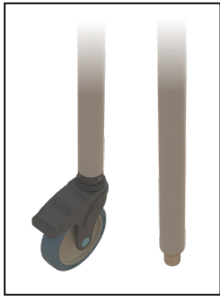
Fits Worktable Size in (mm)	3-Sided Frame	I-Frame
24 (610) x 24 (610)	TWTF2018S	TWIF2018S
24 (610) x 30 (762)	TWTF2024S	TWIF2024S
24 (610) x 36 (914)	TWTF2030S	TWIF2030S
24 (610) x 48 (1219)	TWTF2042S	TWIF2042S
24 (610) x 60 (1524)	TWTF2054S	TWIF2054S
24 (610) x 72 (829)	TWTF2066S	TWIF2066S
24 (610) x 96 (2438)	TWTF2090S	TWIF2090S
30 (762) x 30 (762)	TWTF2424S	TWIF2424S
30 (762) x 36 (914)	TWTF2430S	TWIF2430S
30 (762) x 48 (1219)	TWTF2442S	TWIF2442S
30 (762) x 60 (1524)	TWTF2454S	TWIF2454S
30 (762) x 72 (829)	TWTF2466S	TWIF2466S
30 (762) x 96 (2438)	TWTF2490S	TWIF2490S
36 (914) x 36 (914)	TWTF3030S	TWIF3030S
36 (914) x 48 (1219)	TWTF3042S	TWIF3042S
36 (914) x 60 (1524)	TWTF3054S	TWIF3054S

# TableWorx™

## Performance Worktables



We put space to work.



### Table Legs

Leg Type	TYPE 304 STAINLESS STEEL	Metroseal Gray
	Type 304 Stainless Steel	Metroseal Gray
Mobile	TWP27S	TWP27K4
Stationary	TWP32S	TWP32K4

### Adjustable-Height Work Surface Leg Mounts



Polymer #  
TWAPM-POLY



Stainless #  
TWAPM-SST



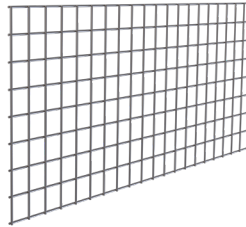
### Riser Post

All-welded, heavy-gauge type 304 alloy with type 316 stainless base

Model # TWARC-SST



### Grid & Bin Hanger Rail



### Accessory Grid

All-welded, heavy-gauge type 304 alloy or Metroseal Gray epoxy coated wire

Grid material	36" (914mm)	48" (1219mm)	60" (1524mm)
304 Stainless	WG2436S	WG2448S	WG2460S
Gray Epoxy	WG2436K4	WG2448K4	WG2460K4

Grid & Bin Hanger Rail	36"	48"	60"
304 Stainless	TWOR36S	TWOR48S	TWOR60S

### Cantilevered Shelves

All-welded, heavy-gauge type 304 or 316 alloy polished stainless steel.

Shelf Length All Shelves 12" (304mm) Deep	TYPE 304 STAINLESS STEEL	TYPE 316 STAINLESS STEEL	TYPE 304 STAINLESS STEEL	TYPE 316 STAINLESS STEEL	TYPE 304 STAINLESS STEEL
	Rear Cantilevered 304 Solid Stainless	Rear Cantilevered 316 Solid Stainless	Center Cantilevered 304 Solid Stainless	Center Cantilevered 316 Solid Stainless	Rear Cantilevered 304 Stainless Wire Dropmat
36" (914 mm)	TW1236CRS-304	TW1236CRS-316	TW1260CRS-316	TW1236CCS-316	TW1236CWS-SS
48" (1219 mm)	TW1248CRS-304	TW1248CRS-316	TW1248CCS-304	TW1248CCS-316	TW1248CWS-SS
60" (1524 mm)	TW1260CRS-304	TW1260CRS-316	TW1260CCS-304	TW1260CCS-316	TW1260CWS-SS

an Ali Group Company



The Spirit of Excellence

